

Cat. No.	Fan Dia.	A
09PW	9"	6 $\frac{3}{4}$ "
14PW	14"	10"
16PW	16"	10"
18PW	18"	10"
24PW	24"	11 $\frac{3}{8}$ "

## THANK YOU

Thank you for purchasing an Aerotech Fan Hood from Munters. Munters equipment is designed to be the highest performing, highest quality equipment you can buy. With the proper installation and maintenance it will provide many years of service.

## PLEASE NOTE

To achieve maximum performance and insure long life from your Munters product it is essential that it be **installed and maintained properly**. Please read all instructions carefully before beginning installation.

## UNPACKING THE EQUIPMENT

Before beginning installation, check the overall condition of the equipment. Remove packing materials, and examine all components for signs of shipping damage. Any shipping damage is the customer's responsibility and should be reported immediately to your freight carrier.

### Each Fan Hood Kit includes:

- 1 - PVC Fan Hood
- 1 - PVC Coated Guard, as follows:

Fan Hood	Guard	Diameter (largest ring)
09PW	Included w/fan	---
14PW	FH1233	14 $\frac{1}{8}$ "
16PW	FH1234	16 $\frac{1}{8}$ "
18PW	FH1235	18 $\frac{1}{8}$ "
24PW	FH1237	24 $\frac{1}{8}$ "

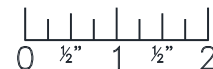
- 1 - Hardware Package

### HP1029 includes:

- [A] 4 KS0650 1/4"- 20 x 7/8" Truss Head Bolt, S.S.
- [B] 4 KN1717 1/4"- 20 Hex Flange, Nylock Nut, S.S.
- [C] 2 KS2282 #10 x 3/4" TEK Screws, S.S.

### HP1144 - 14"-18" RC Cones

- [D] 4 KX1204 End Caps, Yellow Plastic



**NOTE:** This Fan Hood is designed to mount on the fan outlet for increased weather protection and to support an exhaust guard. A shutter or guard must be mounted on the fan inlet.

## INSTALLATION INSTRUCTIONS

### Step 1

Remove fan hood and guard from shipping carton (No guard is included with 09PW kit).

### Step 2

Lay hood on flat surface and curl ends around until they overlap. Join ends using (2) TEK Screws. [C] **See Figure 1.** Screws should pass through slots and secure into small round holes. **DO NOT** tighten.

### Step 3

Slip hood over fan outlet and align slots with holes in fan. Make sure overlap joint is at bottom.

### Step 4

Attach hood to fan by inserting (4) Truss Head Bolt [A] from inside and securing with (4) Flange Nut [B] outside. **See Figure 2. DO NOT** tighten nuts at this time. **Note:** 09PW does not require bolts and nuts. Instead, it should mount over posts of guard which is included with fan. **See Figure 1.**

### Step 5

Pull tab on bottom of hood to firmly wrap hood around fan outlet. Tighten TEK screws, then tighten Truss Head Bolts and Flange Nuts.

### Step 6

Install one plastic End Cap [D] on each extended wire of guard (4 total). **See Figure 1.** Mount PVC coated guard in hood by inserting (4) extended wires through slots in hood. **See Figure 1. Assembly is now complete.**

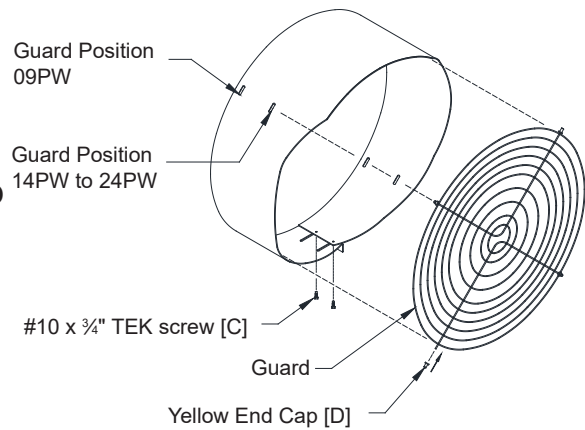


Figure 1

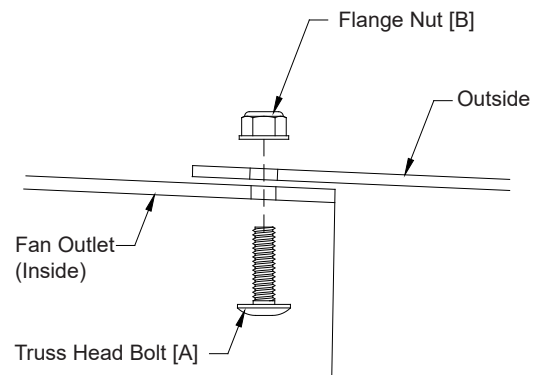


Figure 2

## WINTER WEATHER PROTECTION

To prevent cone or fan damage from snow or ice sliding off building roof, weather protection must be provided. A weather shelter may be constructed to cover the entire fan. Or snow guards may be placed on the roof.

### \*Snow Guard Suppliers

Company Name	Phone No.	Fax No.
Snojax, Inc.	(717) 697-1900	(717) 697-2452
Polar Blox	(814) 629-7397	(814) 629-9090
LM Curbs	(800) 284-1412	(903) 759-0879
Real-Tool, Inc.	(703) 338-4544	(703) 338-4654
Vermont Slate & Copper Services, Inc.	(802) 888-8573	(802) 888-8574

### ▲ IMPORTANT

Munters Product and System Warranties **DO NOT** cover cone or fan damage from external sources.

**Note:** Snow guards are designed to prevent sudden, dangerous snow and ice slides when attached to the building roof according to manufacturers recommendations. The supplier listing above is given as a reference only. Aerotech does not endorse any specific snow guard product and no performance warranty is implied.

## WARRANTY

For Warranty claims information see the "Warranty Claims and Return Policy" form QM1021 available from the Munters Corporation office at 1-800-227-2376 or by e-mail at aghort.info@munters.com.

### Conditions and Limitations:

- Products and Systems involved in a warranty claim under the "Warranty Claims and Return Policy" shall have been properly installed, maintained and operated under competent supervision, according to the instructions provided by Munters Corporation.
- Malfunction or failure resulting from misuse, abuse, negligence, alteration, accident or lack of proper installation or maintenance shall not be considered a defect under the Warranty.