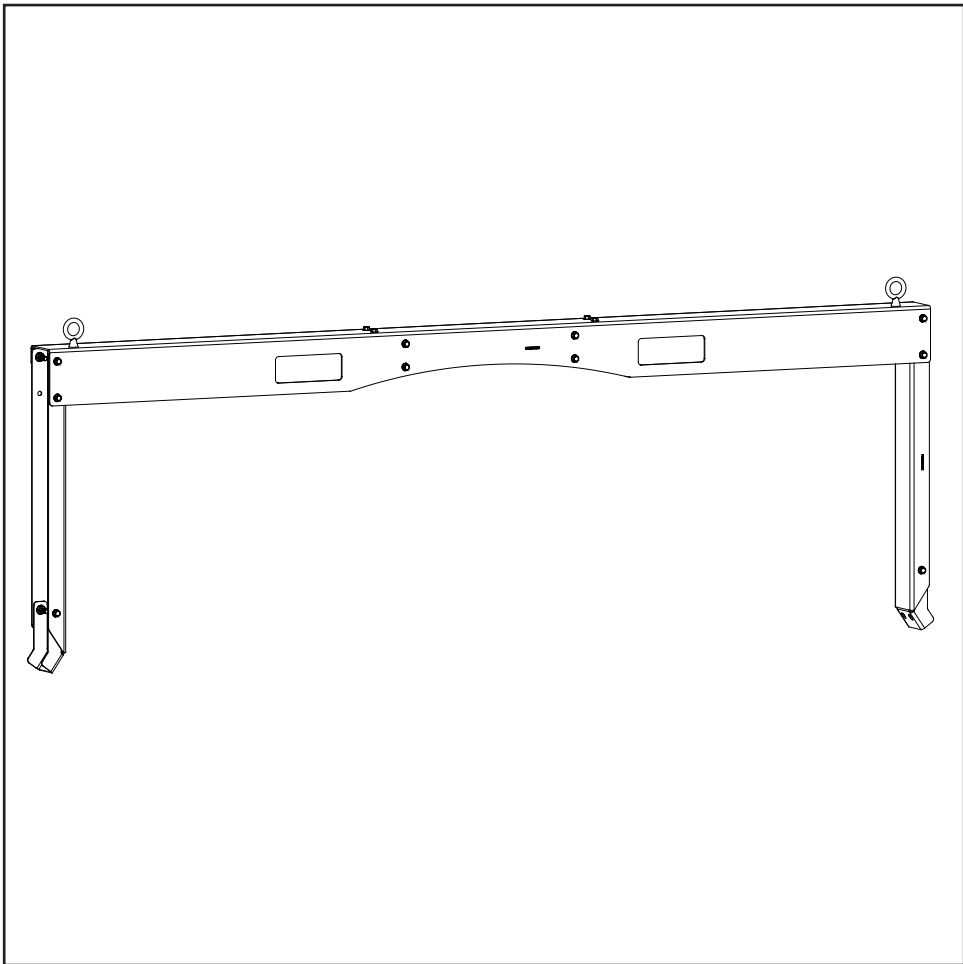




User Manual

Munters Aerotech Free Hanging Kit for CX74 Fan

Model: FH1707



Free Hanging Kit for CX74 Circulation Fan

Instructions for Use and Maintenance

Thank You:

Thank you for purchasing a Aerotech[®] Free Hanging Kit for CX74 Fan. GrainProteinTech Climate Control & Air Treatment equipment is designed to be the highest performing, highest quality equipment you can buy. With the proper installation and maintenance it will provide many years of service.

Please Note:

To achieve maximum performance and insure long life from your Aerotech[®] product it is essential that it be installed and maintained properly. Please read all instructions carefully before beginning installation.

Warranty:

For Warranty claims information see the "Warranty Claims and Return Policy" form QM1021 available from the [Grain & Protein Technologies office at 1-800-227-2376](#) or by e-mail at info@climatecontrolairtreatment.com.

Conditions and Limitations:

- Products and Systems involved in a warranty claim under the "Warranty Claims and Return Policy" shall have been properly installed, maintained and operated under competent supervision, according to the instructions provided by Grain & Protein Technologies.
- Malfunction or failure resulting from misuse, abuse, negligence, alteration, accident or lack of proper installation or maintenance shall not be considered a defect under the Warranty.

Index

Chapters	Page
1. Unpacking the Equipment	4
1.1 Parts List	4
1.2 Fan Dimensions	5
2. Installation Instructions	6
2.1 Assembly	6

Unpacking the Equipment

1.

Before beginning installation, check the overall condition of the equipment. Remove packing materials, and examine all components for signs of shipping damage. Any shipping damage is the customer's responsibility and should be reported immediately to your freight carrier.

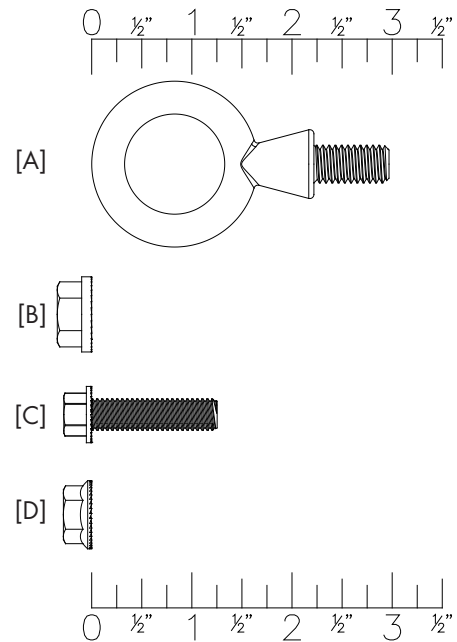
1.1 Parts List

Each FH1707 includes:

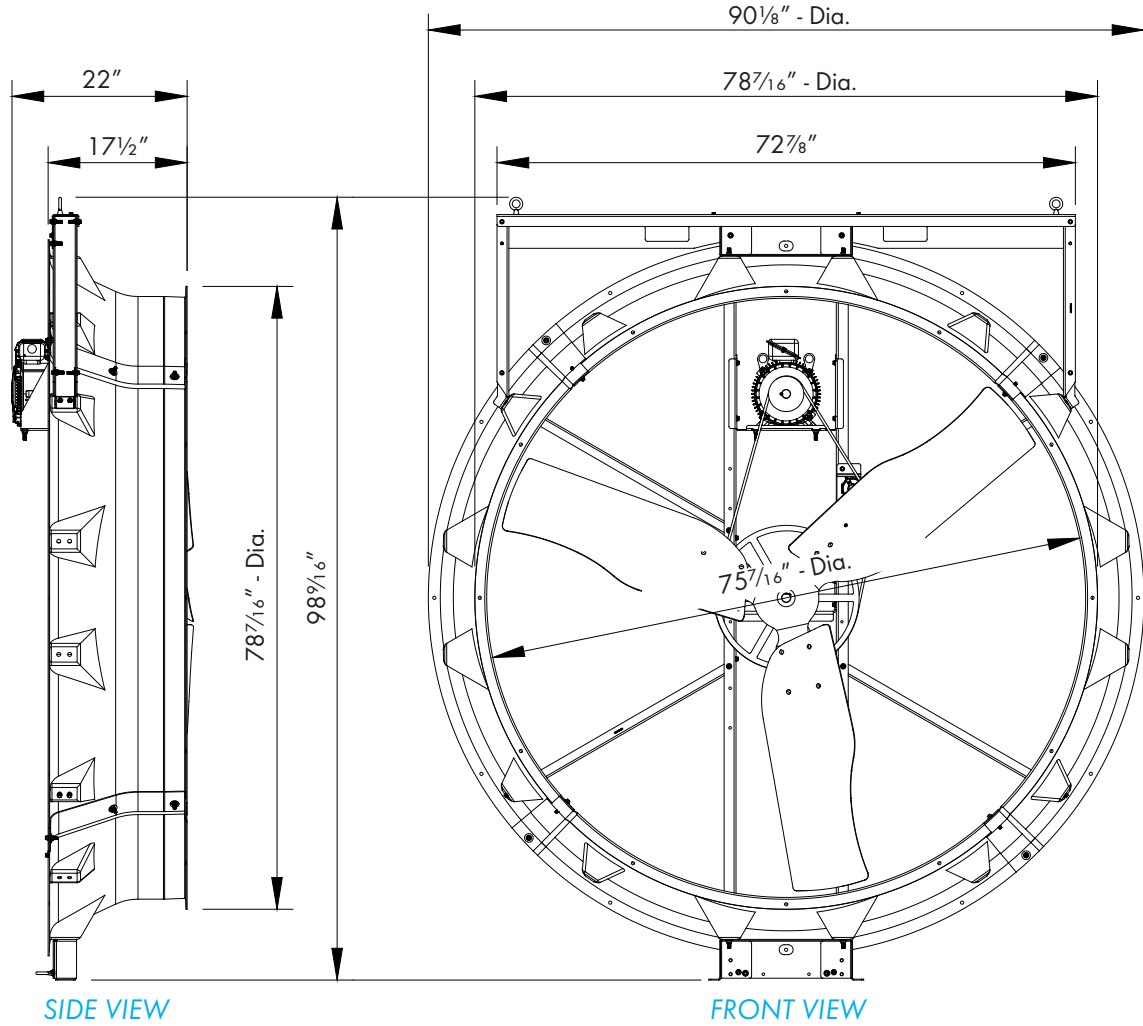
- 1 - Horizontal Hanger Bracket, (73"L.) GZ
- 2 - Vertical Hanger Arms, (24"L.) GZ
- 1 - Hardware Package as follows:

HP1197 - FH1707 Free Hanging Kit

ID	Qty.	Cat. No.	Description
[A]	4	KS1220	$\frac{3}{8}$ "-16 x $\frac{3}{4}$ " Closed Eye Bolt, w/ Shoulder, ZP
[B]	4	KN0705	$\frac{3}{8}$ "-16 Serrated Flange Hex Nut, ZP
[C]	24	KS1167	$\frac{5}{16}$ "-18 x 1.25" SRTD HX Flange Bolt, ZP
[D]	24	KN0706	$\frac{5}{16}$ "-18 Serrated Flange Hex Nut, ZP



1.2 Dimensions



Installation Instructions

2.

2.1 Assembly

Step 1

Attach (2) Eye Bolts [A] to Horizontal Hanger Bracket using (2) Nuts [B]. *See Figure 1.*

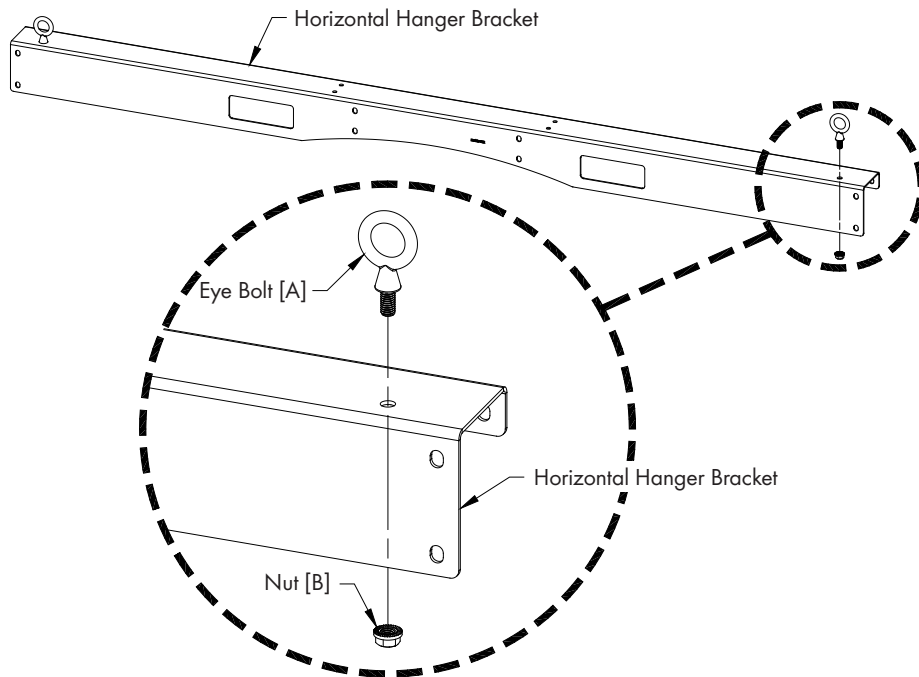


Figure 1

Step 2

Attach each of the two Vertical Hanger Arms to the Horizontal Hanger Bracket using (3) Bolts [C] and Nuts [D], making sure the opening in the "C" channel faces outward and the angled "Foot" is pointing down and out. Then add (2) Bolts [C] and Nuts [D] to the lower pair of holes in the Hanger Arms. *See Figure 2.*

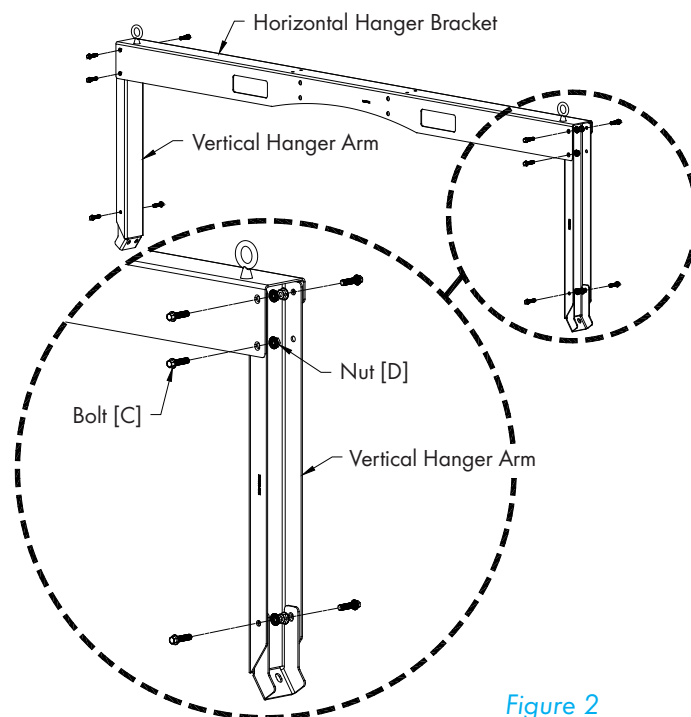


Figure 2

QM1247r1

Step 3

On the bracket on the top of the fan, remove the (2) bolts and nuts as shown and discard. Also, remove the (2) bolts and nut from the end of the upper angled struts where they are bolted to the Orifice and discard. *See Figure 3.* (Do Not Reuse these bolts and nuts).

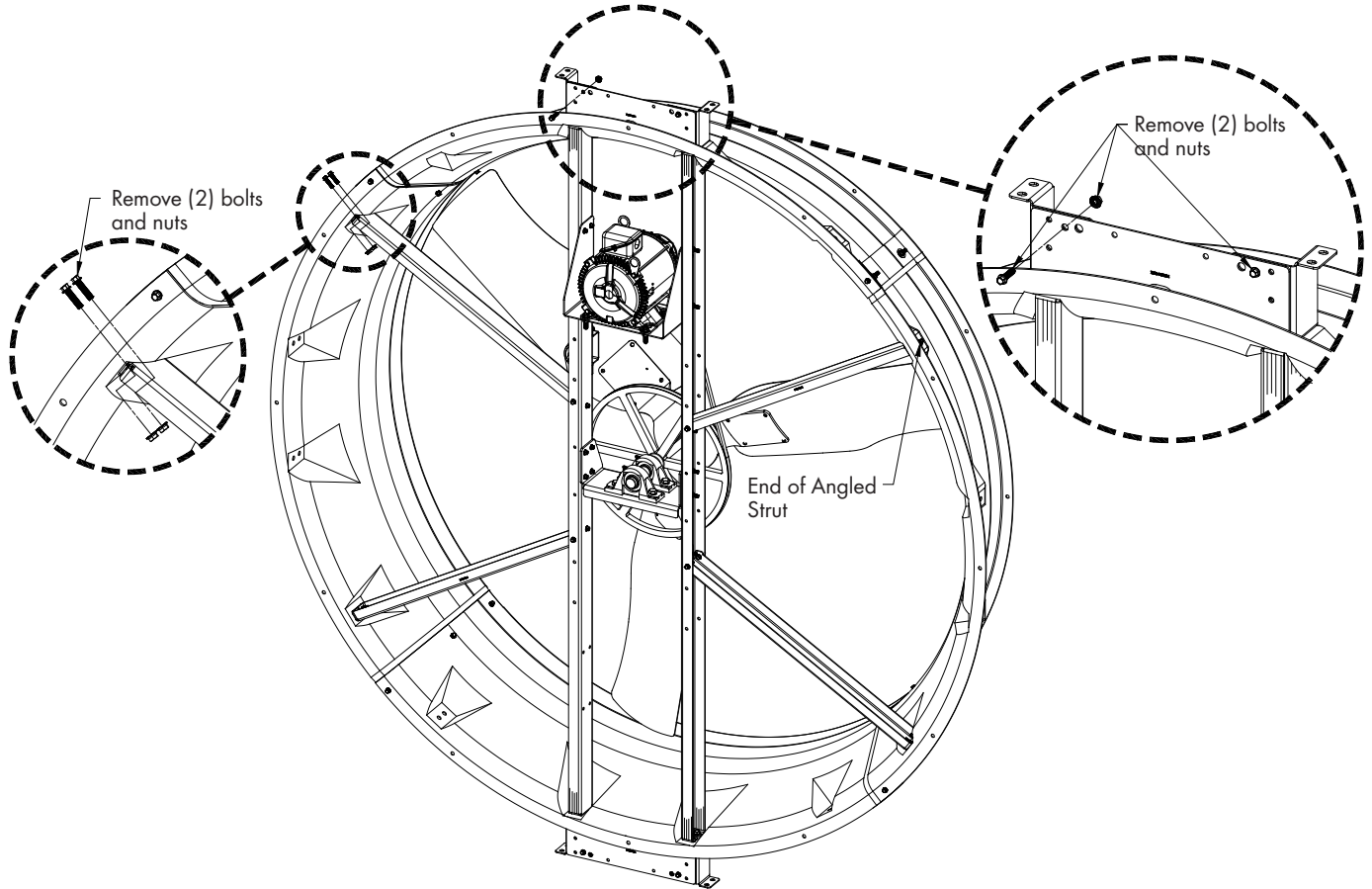


Figure 3

Figure 4

Step 4A

Place the Hanger Bracket Assembly on the top of the fan with the Horizontal Hanger Bracket over the Bracket on the top of the fan with the shorter side of the bracket on the Prop Side of fan and the longer side of bracket on the motor side and secure in place using (4) Bolts [C] and Nuts [D]. *See Figure 4.*

Step 4B

The Angled Foot on the Vertical Hanger Arms should line up with the holes in the orifice and strut where the bolts and nuts were removed previously. Fasten the Hanger Arms to the orifice/stut using (2) Bolts [C] and Nuts [D]. *See Figure 4.* (Do Not Reuse bolts and nuts removed previously).

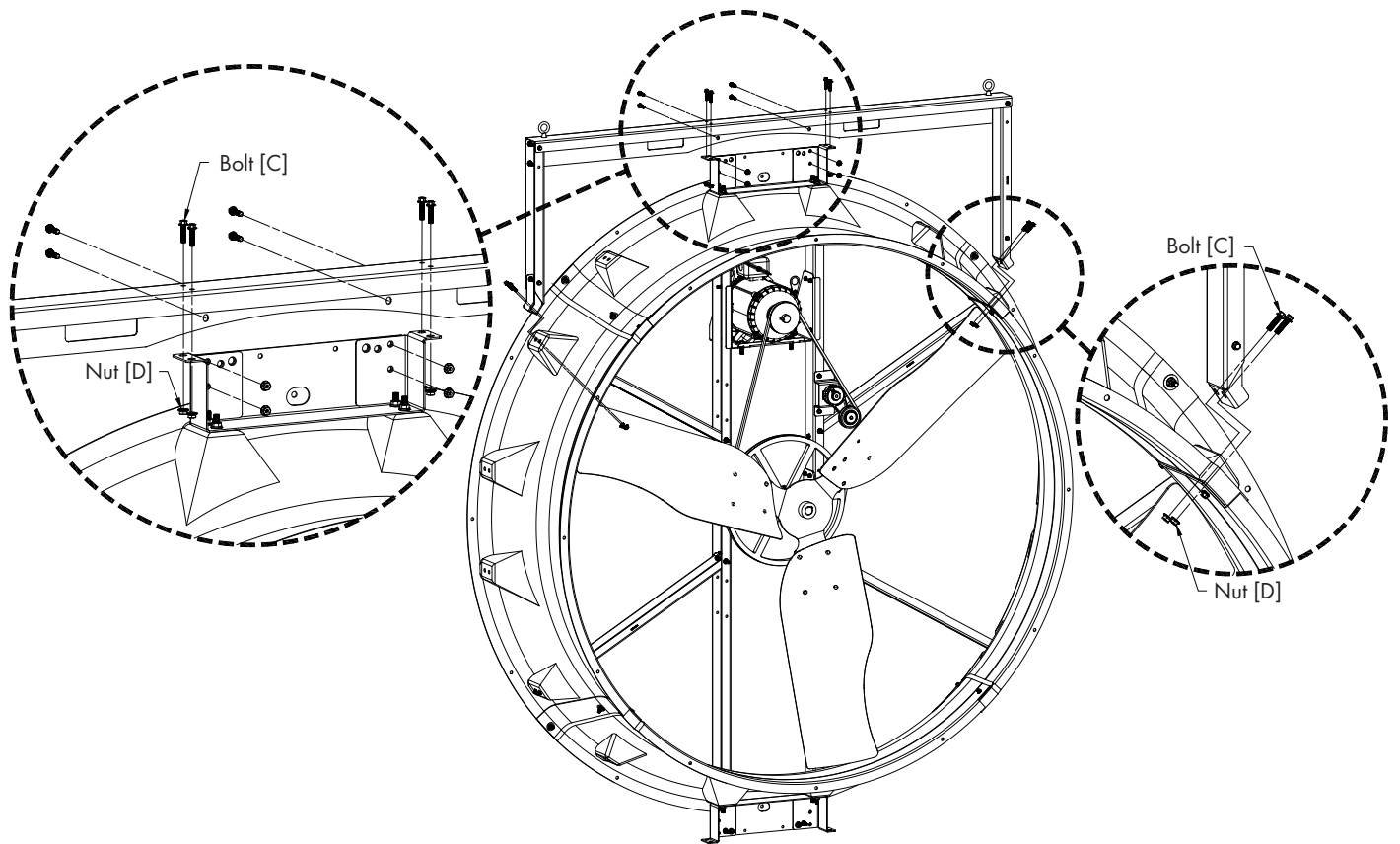


Figure 4

Step 5

Install (2) Eye Bolts [A] to the bottom bracket of fan in the larger hole next to the pre-installed bolt with they eye on the motor side of the fan and secure in place using (2) Nuts [B]. See Figure 5.

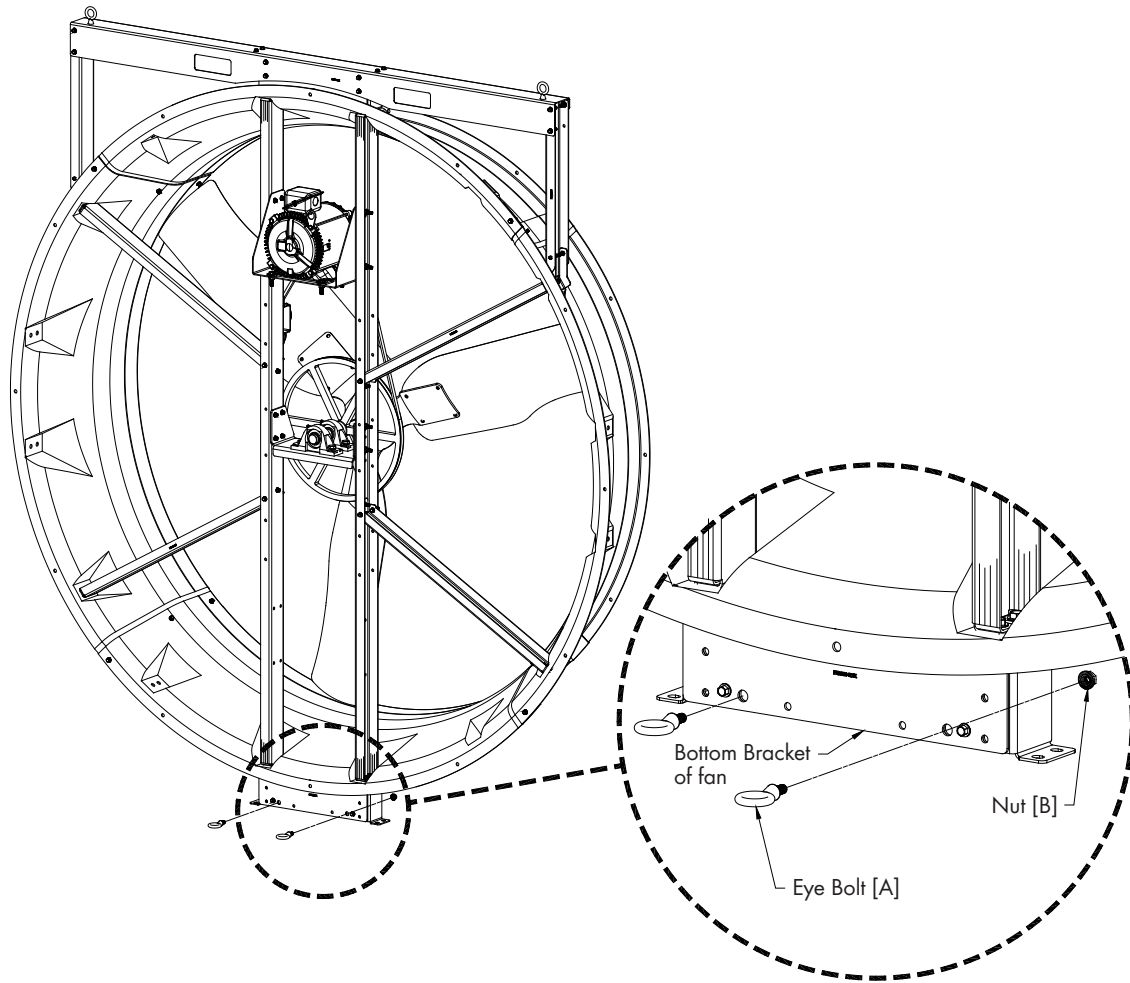


Figure 5

Step 6

Hang Fan Assembly from each Eye Bolt [A] in the Horizontal Hanger Bracket. Chains, S-Hooks and other hanging material are not provided. Hanging material and hanging points must be rated for 2,100 lbs. (950 Kg). Chains must not run straight up, but should be at a slight angle. [See Figure 6.](#) The Slots in the Horizontal Hanger Bracket can be used to lift the fan with the forks of Lift Truck or Tractor. Make sure to use care when lifting fan, so as not to damage fan.

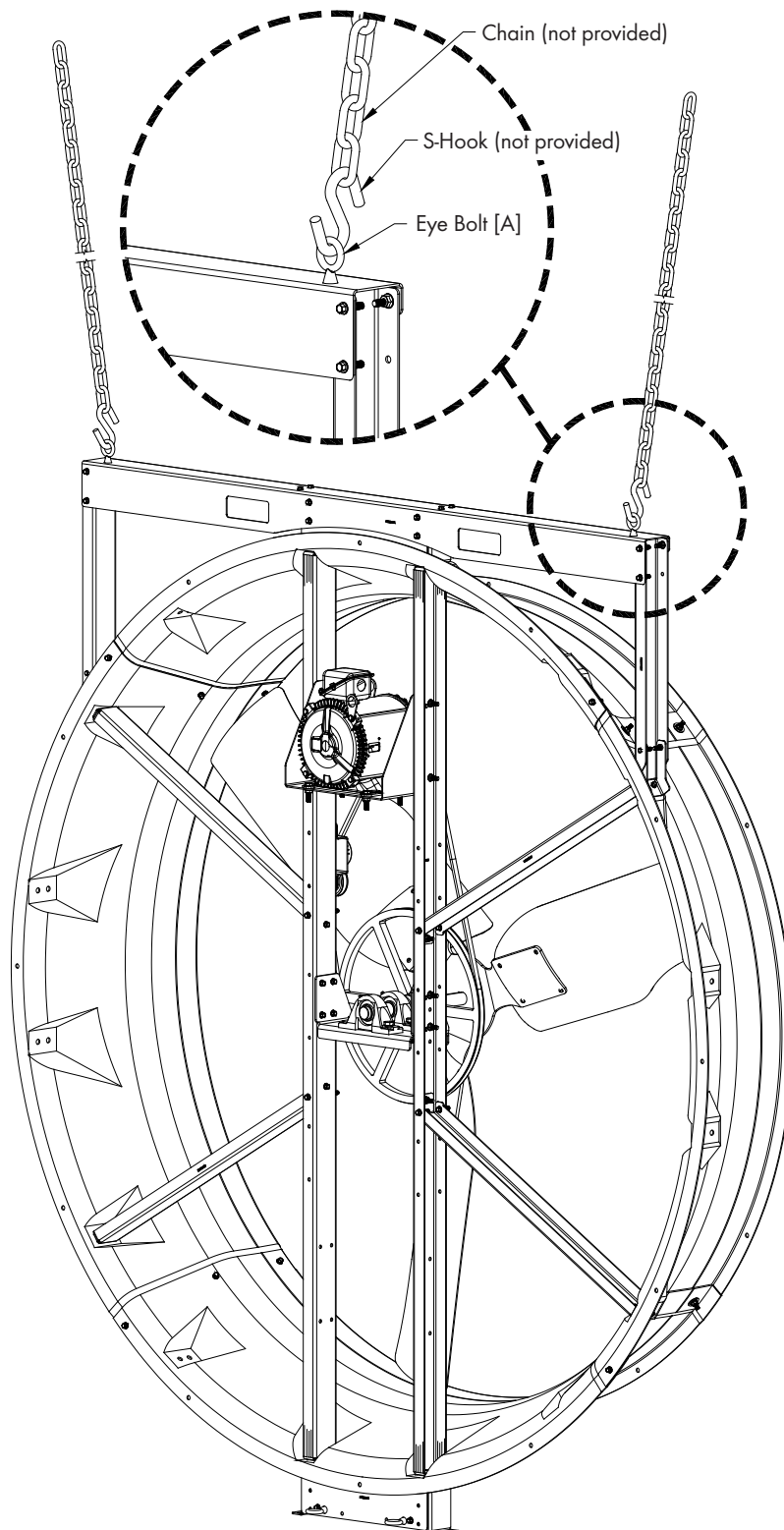


Figure 6
QM1247r1

Step 7

If it is desired to angle the hanging fans down, attach chains and s-hooks (not provided) to the Eye Bolts [A] attached to the bracket on the bottom of the fan and secure chains to give the fan desired angle.

See Figure 7.

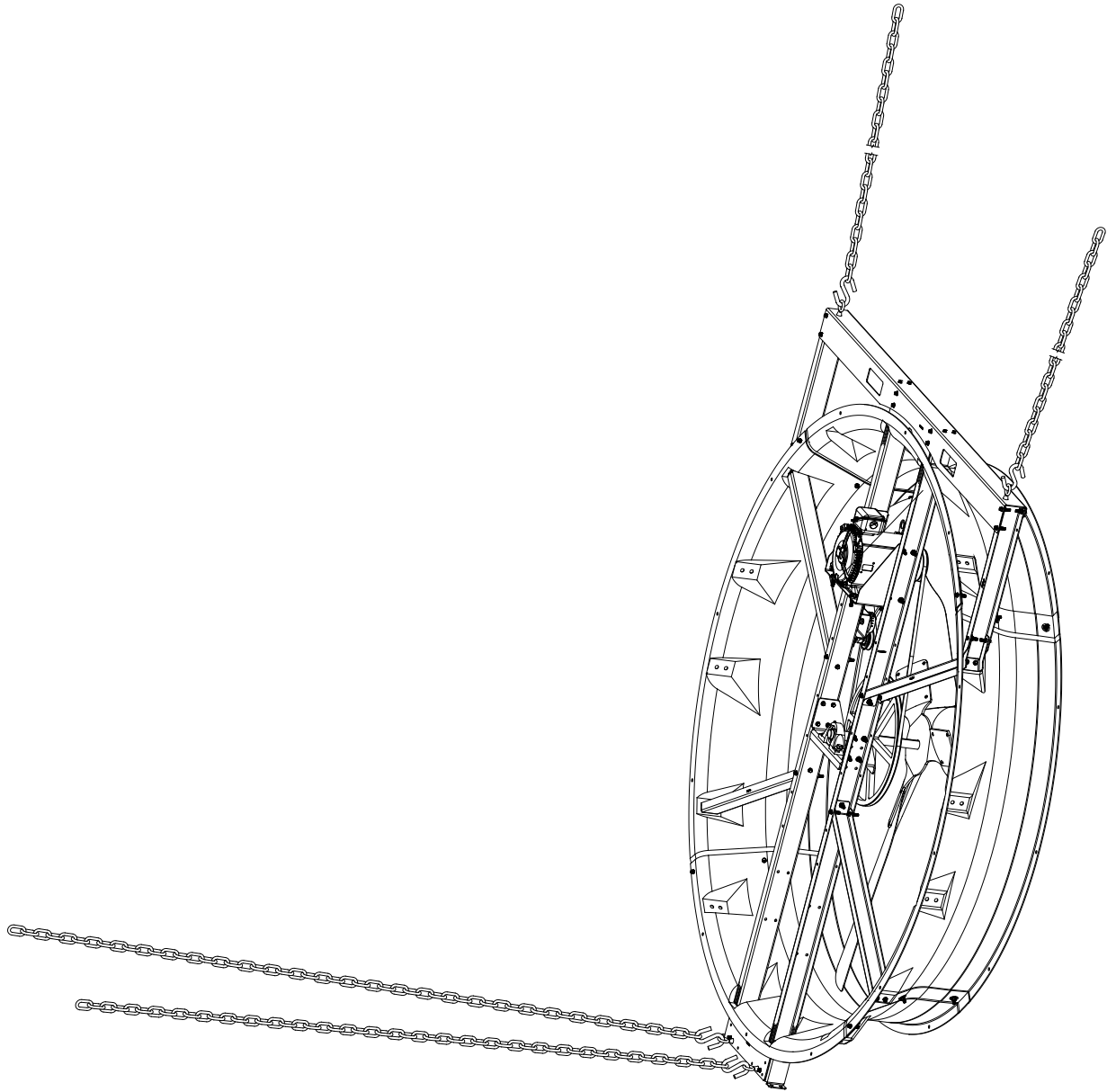


Figure 7



Munters Aerotech Free Hanging Kit for CX74 Fan is developed and produced by GrainProteinTech Climate Control Air Treatment US, LLC.

2691 Ena Dr., Lansing, MI 48917 | 1-800-227-2376

© 2025 GRAIN AND PROTEIN TECHNOLOGIES.

All rights reserved. GrainProteinTech Climate Control & Air Treatment reserves the right to change designs and specifications without notice.

www.climatecontrolairtreatment.com